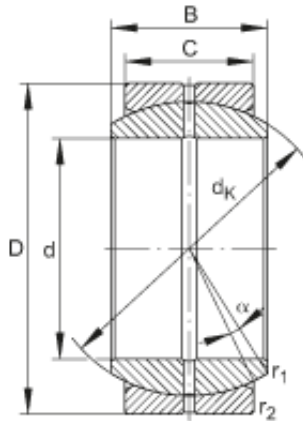




Browning BEARING LLC



INA GE35-DO Spherical Plain Bearings

Bearing No. GE35-DO

Size	35x55x25 mm
Bore Diameter	35 mm
Outer Diameter	55 mm
Width	25 mm
C	20 mm
$D_{a \min}$	44,5 mm
$d_{a \max}$	39,7 mm
d_k	47 mm
$r_{1s \min}$	0,6 mm
$r_{2s \min}$	1 mm
alf (°)	6
Weight (kg)	0,22
C_r (N)	79900
C_{0r} (N)	400000
Category	Spherical Plain Bearings - Radial
Inventory	0.0
Manufacturer Name	SCHAEFFLER GROUP
Minimum Buy Quantity	N/A
Weight / Kilogram	0.276
Product Group	B04264
Self Aligning	Yes
Rolling Element	Spherical Plain
Material - Outer Member	Steel
Material - Ball	Steel
Material - Liner	Not Applicable

GE35-DO Bearing 2D drawings and 3D CAD models



Browning BEARING LLC

Relubricatable	Yes
Enclosure	Open
Other Features	2 Piece Single Axial Split in Outer Ring
Long Description	35MM Bore; 20MM Housing Width; 55MM Outside Diameter; Spherical Plain; Steel Outer Member; Steel Ball; No Liner; 25MM Overall Width; Relubricatable
Inch - Metric	Metric
Category	Plain Bearings Spherical Radial
UNSPSC	31171515
Harmonized Tariff Code	8483.30.80.70
Noun	Bearing
Keyword 3	Spherical
Keyword String	Plain Spherical Radial
Manufacturer URL	http://www.ina.com
Manufacturer Item Number	GE35DO
Weight / LBS	0.485
Outside Diameter	2.165 Inch 55 Millimeter
Overall Width	0.984 Inch 25 Millimeter
Housing Width	0.787 Inch 20 Millimeter
Bore	1.378 Inch 35 Millimeter