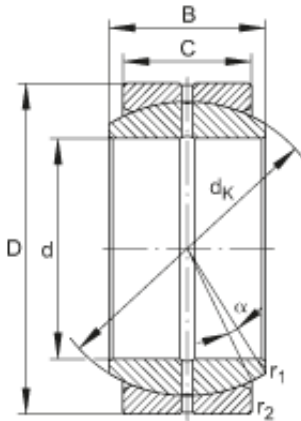




Browning BEARING LLC



INA GE30-DO Spherical Plain Bearings

Bearing No. GE30-DO

Size	30x47x22 mm
Bore Diameter	30 mm
Outer Diameter	47 mm
Width	22 mm
C	18 mm
$D_{a \min}$	38 mm
$d_{a \max}$	34,2 mm
d_k	40,7 mm
$r_{1s \min}$	0,6 mm
$r_{2s \min}$	0,6 mm
alf (°)	6
Weight (kg)	0,14
C_r (N)	62300
C_{Or} (N)	311000
Category	Spherical Plain Bearings - Radial
Inventory	0.0
Manufacturer Name	SCHAEFFLER GROUP
Minimum Buy Quantity	N/A
Weight / Kilogram	0.18
Product Group	B04264
Self Aligning	Yes
Rolling Element	Spherical Plain
Material - Outer Member	Steel
Material - Ball	Steel
Material - Liner	Not Applicable

GE30-DO Bearing 2D drawings and 3D CAD models



Browning BEARING LLC

Relubricatable	Yes
Enclosure	Open
Other Features	2 Piece Single Axial Split in Outer Ring
Long Description	30MM Bore; 18MM Housing Width; 47MM Outside Diameter; Spherical Plain; Steel Outer Member; Steel Ball; No Liner; 22MM Overall Width; Relubricatable
Inch - Metric	Metric
Category	Plain Bearings Spherical Radial
UNSPSC	31171515
Harmonized Tariff Code	8483.30.80.70
Noun	Bearing
Keyword 3	Spherical
Keyword String	Plain Spherical Radial
Manufacturer URL	http://www.ina.com
Manufacturer Item Number	GE30DO
Weight / LBS	0.309
Overall Width	0.866 Inch 22 Millimeter
Bore	1.181 Inch 30 Millimeter
Housing Width	0.709 Inch 18 Millimeter
Outside Diameter	1.85 Inch 47 Millimeter